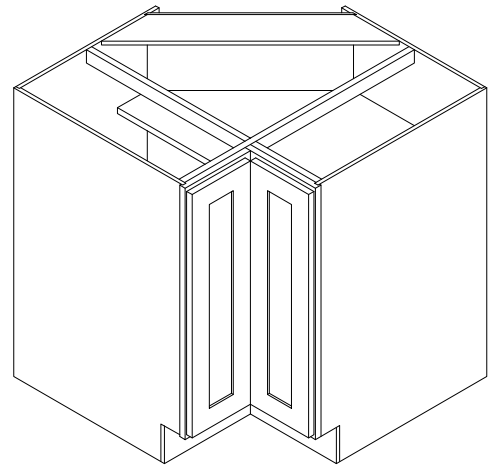




ASSEMBLY INSTRUCTIONS

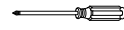
BCFD33/BCFD36



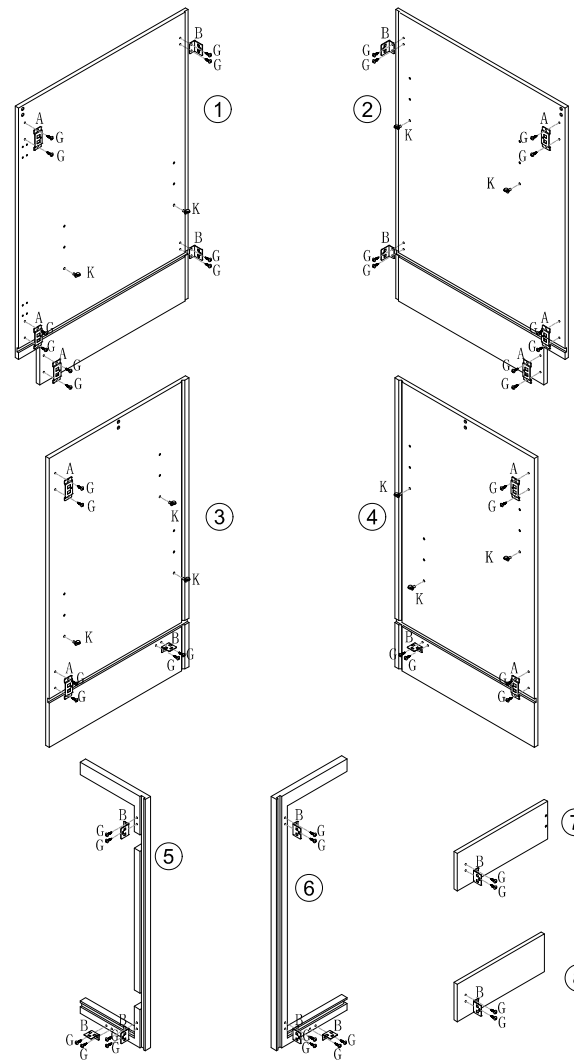
Parts list

NO.	Parts	QTY	NO.	Parts	QTY
A		14	H		2
B		14	I		2
C		8	K		10
D		52			
E		8			
F		8			
G		70			

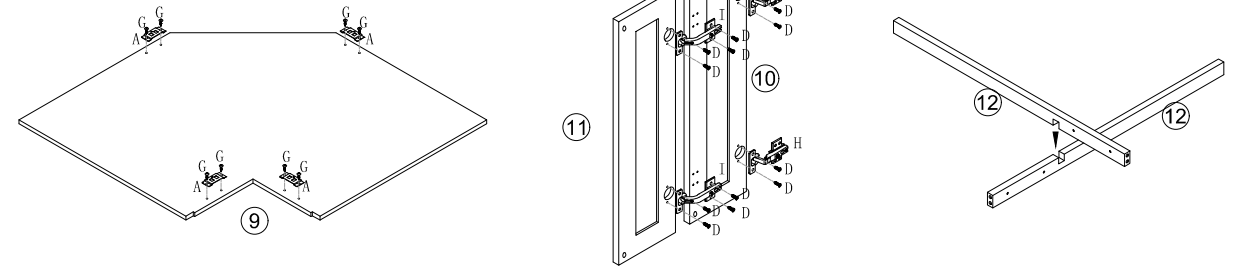
Tools
(required but not provided)



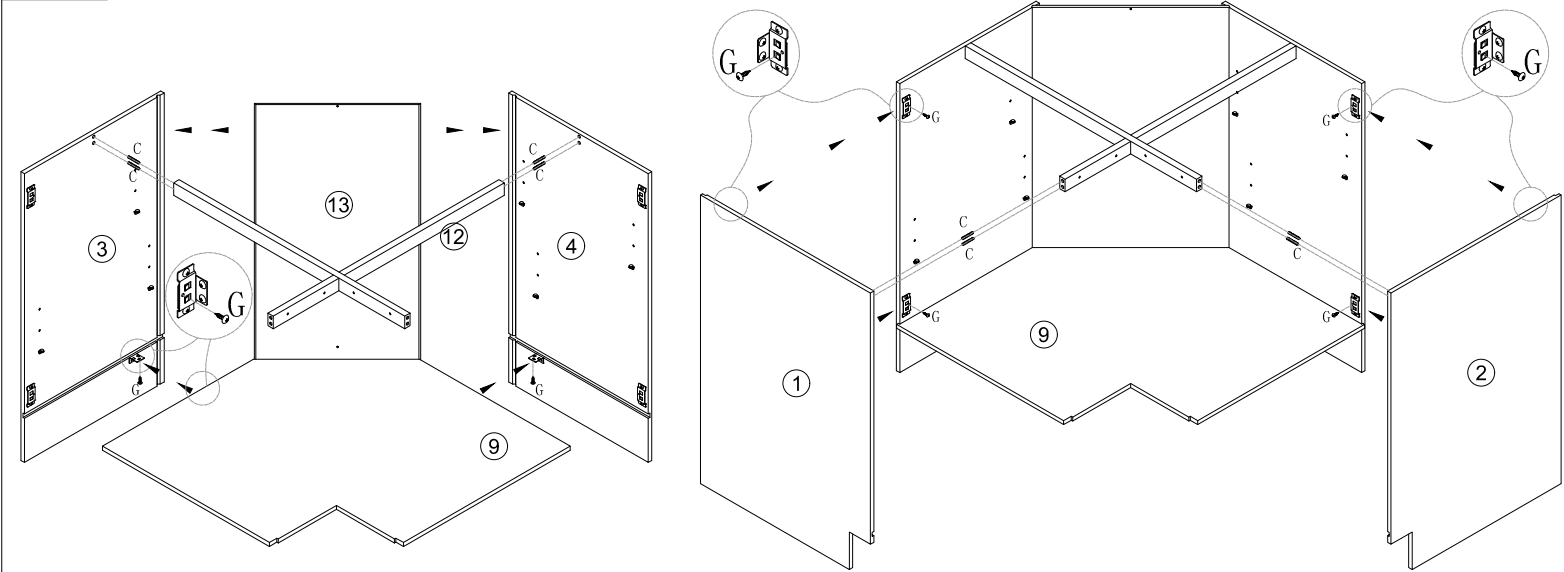
Step 1



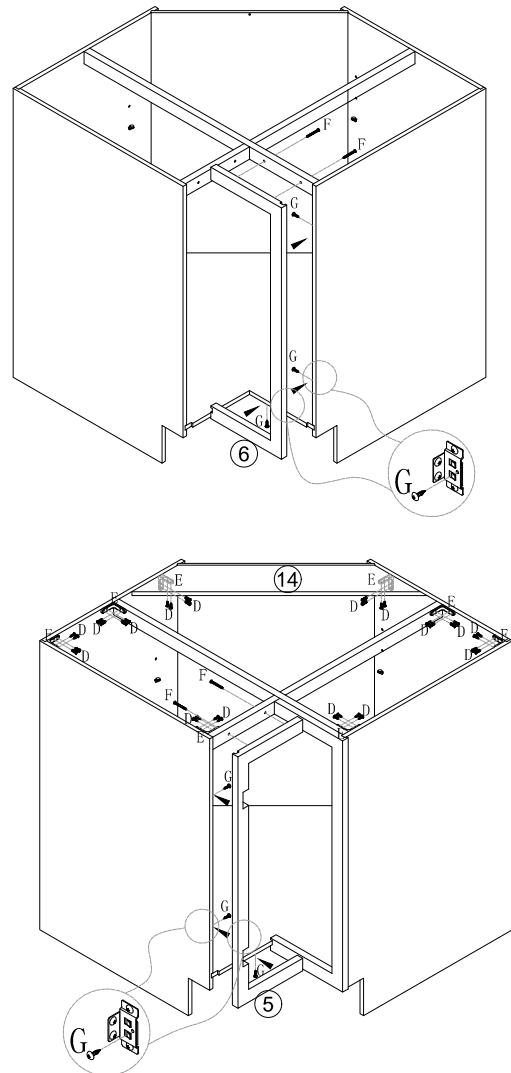
Step 2



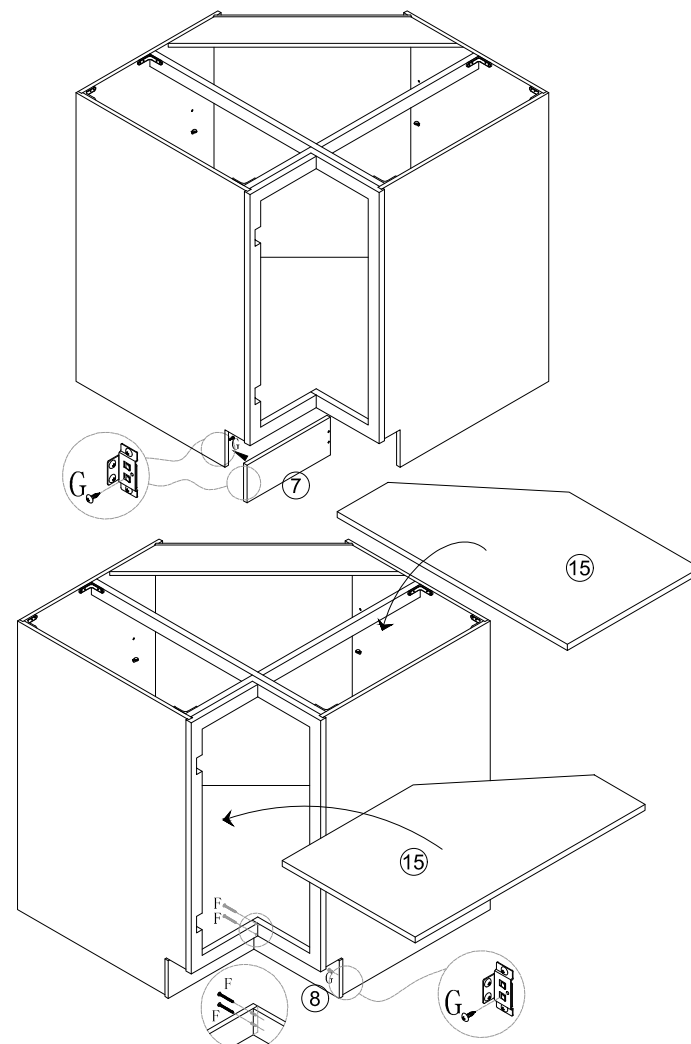
Step 3



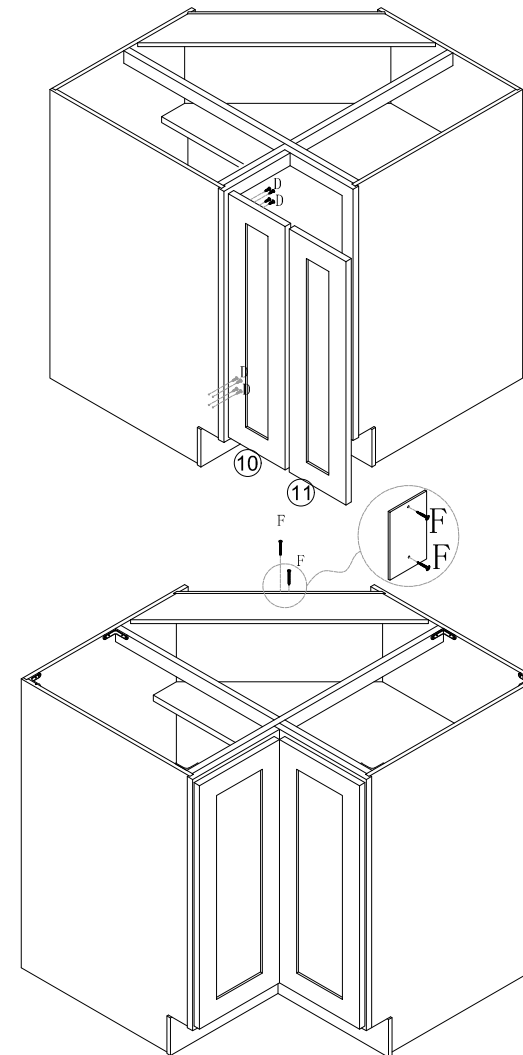
Step 4



Step 5



Step 6



Finished

